



**The large variety  
for all applications.**

sundrape® Quadro<sup>L</sup> offers – in the true sense of the word – a huge variety of possibilities for the design of your interior decoration. It is also available with a manual operation, which is absolutely unique for roller blinds of this size. Of course, sundrape® Quadro<sup>L</sup> belongs to the latest sundrape® innovation: the sundrape® Quadro roller blind family with its outstanding design and sophisticated, well thought-out technical features, inviting you to choose your perfect solution from a tremendous number of possibilities.

- Mounting. . . . . wall or ceiling mounting with clip support
- Operation . . . . . side pull drive with ball chain, reduction of the manual operation power by planetary gear or 230 V electric drive
- Size of head box. . . . . 73 x 77 mm
- Side guiding. . . . . side guiding in two parts with brush seal or tension wire guiding
- Colour of profiles. . . . . white 9016 or silver 9006
- Maximum measurements . . . . . width 2500 x height 4000 mm, depending on fabric
- Black out . . . . . complete black out possible by means of light exclusion seal at head box, side guidings and an additional sink down profile

Subject to technical modifications • 01.2009 • 999.89E

**Sundrape GmbH**  
 Im Wiebusch 4-6  
 D-27607 Langen-Sievern  
 fon: +49 (0) 4743.894-0  
 fax: +49 (0) 4743.894-300  
 Email: info@sundrape.com  
 www.sundrape.com

Your sundrape® dealer:



**ROLLER BLIND SYSTEM**

### The specialist for great things

sundrapé® **Quadro**<sup>L</sup> is the special solution developed for the planning and application of large sized sight and sunprotection systems. A special feature is of course the option of a comfortable, manual operation which is absolutely unique for roller blinds of this size. With sundrapé® **Quadro**<sup>L</sup> there is no limit for your ideas.



wall or ceiling mounting with clip support, side pull drive, freely suspended



wall or ceiling mounting with clip support, side pull drive, side guiding



wall or ceiling mounting with clip support, side pull drive, side guiding and sink down profile



wall or ceiling mounting with clip support, side pull drive, tension wire guiding



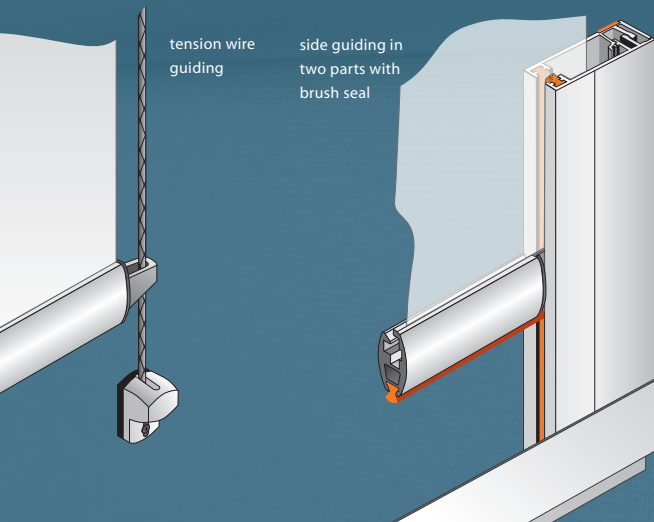
wall or ceiling mounting with clip support, electric drive, freely suspended



wall or ceiling mounting with clip support, electric drive, side guiding

### A thorough perfection

The mounting of sundrapé® **Quadro**<sup>L</sup> is quickly and simply done - with specially developed and shaped clip supports. All fixing elements are covered respectively dispose of cover caps which are consistently adapted to the elegant design of the complete product line – all this at the high level you may expect from sundrapé® **Quadro**.



### Operation comfort at a highest level

Operations are also free to choose. Different versions as the side pull drive with ball chain or 230 V electric motor with various useful control and operation elements offer always a comfort at the highest level. A power transmission gear optimizes a smooth and easy operation also in case of heavy black out fabrics.



easy mounting with clip supports



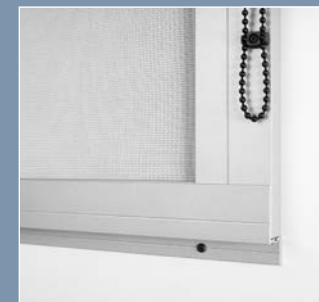
wall or ceiling mounting with clip support, electric drive, side guiding and sink down profile



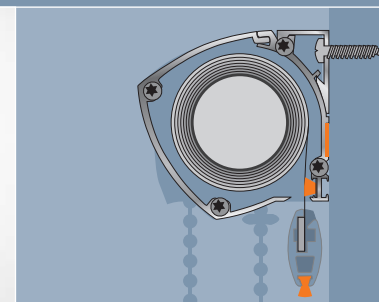
wall or ceiling mounting with clip support, electric drive, tension wire guiding

### More than sun protection

sundrapé® **Quadro**<sup>L</sup> is more than an excellent roller blind system. Additional, daylight seal profiles make sundrapé® **Quadro**<sup>L</sup> a complete and perfect black out system. An additional sink down profile is also available and optimizes the blind for complete black out purposes. But this is not enough for sundrapé® **Quadro**<sup>L</sup> – it fits also excellently as a room partition or eye protection for a modern and sophisticated interior office design – it always offers you the best solution for aesthetics and functionalism.



sink down profile



daylight seal and noise reduction in head box