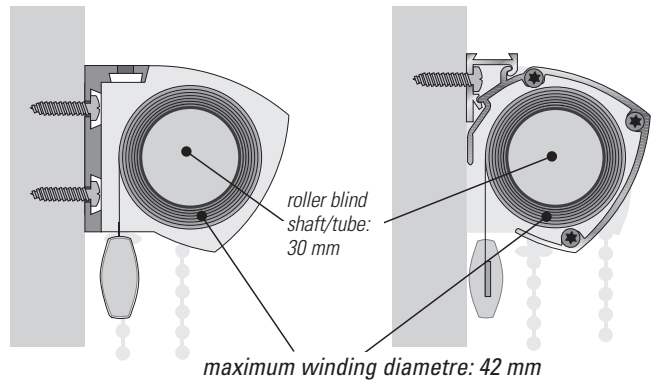


LIMIT SIZE



roller blind without cassette

cassette roller blind



Soft roller blind: max. 1400 x 1600 mm
M 3712: max. 2000 x 2000 mm

maximum height roller blind in relation to thickness				
quality		mm		mm
Office				
Interloon Reflex B1	9401-04		2000	1900
Alustar NT	5300-10		1900	1800
Pearlstar Smart	9301-06		2000	1400
Spunglas Dim-Out	69920-70		1900	2400
Alustar Light	5011-14		2000	3000
Pearlstar Plus	9201-05		2000	1200
Alustar Trevira CS	5500-5502		2000	1300
Alustar Struktur	5400		2000	2000
Alustar 5000	5000-60		2000	3000
Alustar 6000	6000-90		2000	3000
Contour I	5800		1500	2000
Contour I	5807-09		1500	2500
Contour II	5801+5900		1500	2000
Screen				
Interloon Screen I	430-438		2000	1200
Thermostar Screen II	450-454		2000	1200
Protect				
Protect	880-883		1900	1700
Spunglas Screen I	69580-69582		2000	900
Black-out				
Fiberglas Okkult	780-785		1800	1600
Objekt Okkult	740-745		1800	2000
Polyester Okkult B1	750-754		1900	1500
Pearlstar Okkult	770-773		1900	1100
Spunglas Okkult	791-796		1900	1900
Basic				
Polyester Basic B1	9601-10		2000	1900
Artex	3811-19		2000	1300
Spunglas Struktur A2	69200-40		2000	2500
Trevira® CS Colour I	8101-10		2000	1600
Trevira® CS Colour II	8001-34		1800	1400
Interloon Colour	9700-9708		2000	1400
Movie Reflex	R23870		2000	1300

apt for side guiding SunTape

all dimensions in mm

Cross seam if roller blind's width and height exceed fabric width.