

5. Technical data receiver.

working voltage: 230 VAC (other voltage on request)

current: 30 mA

casing: plastic white

dimensions: 40 x 60 x 165 mm

output: relay output

loading capacity: 8A with mere resistive load

frequency: 40 MHz

employment: drive of a sundrape sun protection blind with singlemotor

approval: in compliance with CE

coding: 10 dip switches

1024 scopes

6. Technical data sender.

type: 2 channel hand sender

frequency: 40 MHz

working voltage: 9VDC battery E-Block working voltage

Mini: 12VDC battery MN 21

current: 45 mA

dimensions: 96 x 59 x 23 mm

dimensions Mini: 60 x 35 x 15 mm

weight: 120 g

range: abt. 30 m (mini 10 m) under optimal conditions. The range can be reduced due to structural conditions e.g. steelreinforced concrete or strong hf fields.

coding: 10 DIP switches

1024 scopes

battery control: by integrated luminous diode

employment: control of sundrape radio receiver

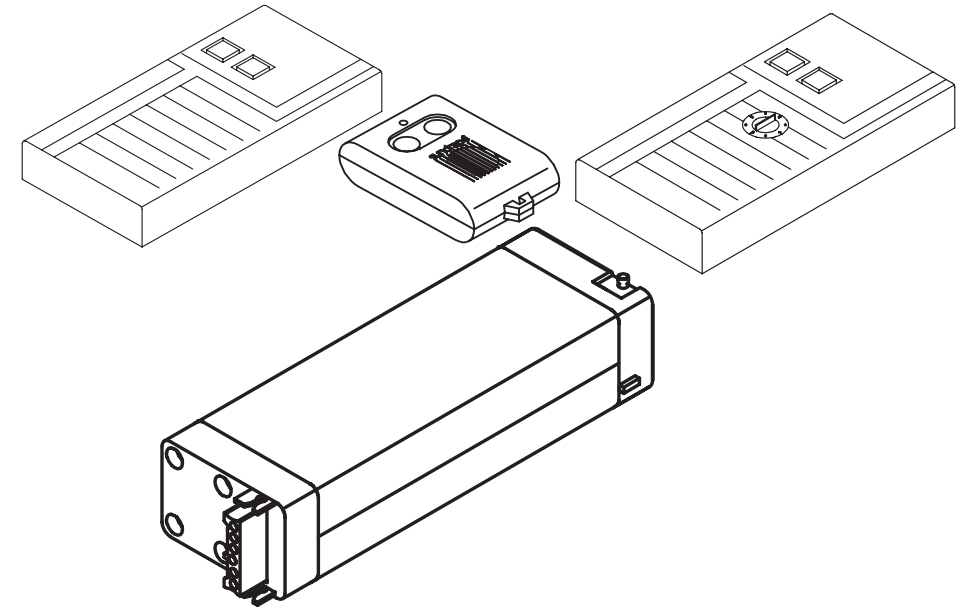
7. Retrofitting of radio remote controls

When retrofitting radio remote controls for already installed Easytrack Curtain track blinds with touch contact switch control, make sure that:

- the curtain track motor has to have a direct mains connection (one-piece supply cable reaching from concealed socket to the motor).
- The touch contact switch is to be exchanged against a button/caged switch which is set for function "move" (traversing).

For installation of the radio receiver see items 1 to 3.

sundrape® Curtain Track Easytrack 2-channel radio remote control



Subject to technical modification. • 02.2008 • 993 116

Please read the instructions for use carefully. In case of damages that have been caused by disregard of the instructions for use, the guarantee expires. For consequential damages resulting of it, we do not assume any responsibility.

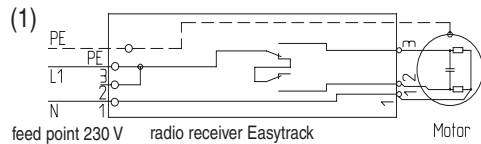
The Easytrack radio remote control sundrape consists of the receiver which is now able to cover 2 channels. Channel 1 closes the blind and channel 2 opens it. Both channels can be controlled via touch contact switch.

sundrape® registered trademark of Sundrape GmbH

Im Wiebusch 4-6 • D-27607 Langen-Sievern • fon: +49 (0) 4743.894-0 • fax: +49 (0) 4743.894-300

Email: info@sundrape.com • www.sundrape.com

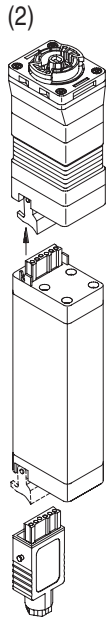
1. Electro Installation



Electric supply is to be provided according to the connection diagram (1). Please observe current rules and regulations of local authorities.

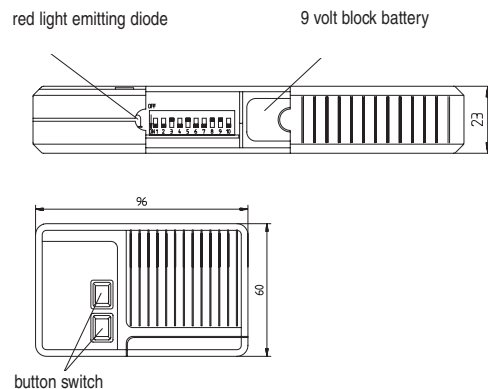
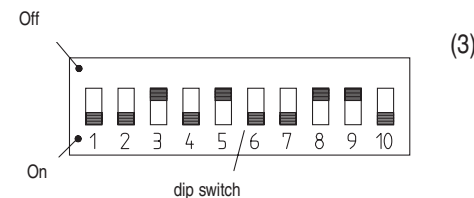
2. Installation of the radio receiver

Sender and receiver are coded in an identical way at the factory. Modification is required only if in direct neighbourhood further remote controls are installed (see para 3 "coding"). When using several remote controls a minimum distance of 0.5 m should be warranted between the individual devices. The radio receiver comes ready to plug. It is simply plugged in between motor and connection coupling (2). Open the holding clamp of the connection coupling at the motor and remove the coupling. Take off the holding clamp from the motor and fix it on the radio receiver, then plug the receiver to the motor, insert the connection coupling and close the holding clamp.



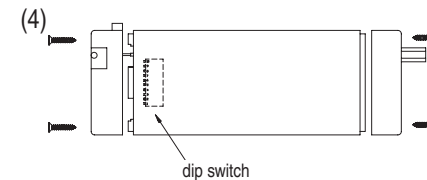
4. Control

When connections and coding have been done correctly, the radio remote control is ready to work. The sender (all types) has two keys to effect the functions "close" and "open". As soon as one of the two keys is activated and held down, the curtain does the desired functioning. When the respective end position is reached (curtain closed or curtain open) release the key. You choose the curtain to be moved by turning the selection key of the multi-channel sender which is able to activate up to 10 curtains. The key can turn in both directions.



3. Coding

The coding of the transmitter and the receiver has to be concurring to warrant proper functioning of the units. Both devices contain ten small switches (3), so-called DIP switches: When the transmitter is opened these are easily accessible. The DIP switches are numbered consecutively from 1 to 10. The receiver also contains 10 DIP switches. To make them accessible remove the screws at both sides of the casing (4). Pull off the connection caps at the front side and remove the top part of the casing. Now move the casing lid at the plug side upwards and sideways.



Each DIP switch has two positions, namely "on" and "off", but the "on" position only is marked. If the position of the DIP switches in the receiver is altered, you also alter the position of the DIP switches in the sender. Each DIP switch of both devices from 1 to 10 must be concurring as to the position "on" or "off". It is recommended to have the coding altered at the factory if several remote controls are planned to be installed in an area limited in size.

The first 6 coding switches of the multi-channel sender and receiver can be set as desired (safety coding), however, there must be accordance between sender and receiver.

coding key - multi-channel sender

sender adjusting of rotary switch	receiver coding switch 7 - 10			
	7	8	9	10
1	off	off	off	on
2	off	off	on	off
3	off	off	on	on
4	off	on	off	off
5	off	on	off	on
6	off	on	on	off
7	off	on	on	on
8	on	off	off	off
9	on	off	off	on
10	off	off	off	off