



ORDER FORM

Vertical blinds

Corvus

CUSTOMER

Customer/Client-No. _____

Phone _____

Fax _____

Person in charge _____

Commission _____

RECEIVER'S ADDRESS

Messrs. _____

Address _____

Postal code _____ Area _____

for the attn. of _____

Delivery date _____

DISPATCH

UPS

Truck

Pick up

Others _____

OFFER-NO.

Please indicate, if an offer has been submitted.

Stamp _____

Date _____ Signature _____

ORDER sundrapé® vertical blinds are being made to measure and cannot be returned nor exchanged.

Repeat! (If the fax has not been sent due to an error message)

smallest radius: 650 mm with louvre width 90 mm, 850 mm with louvre width 127 mm

operation left right

rail colour white EV1

stack position left right centre

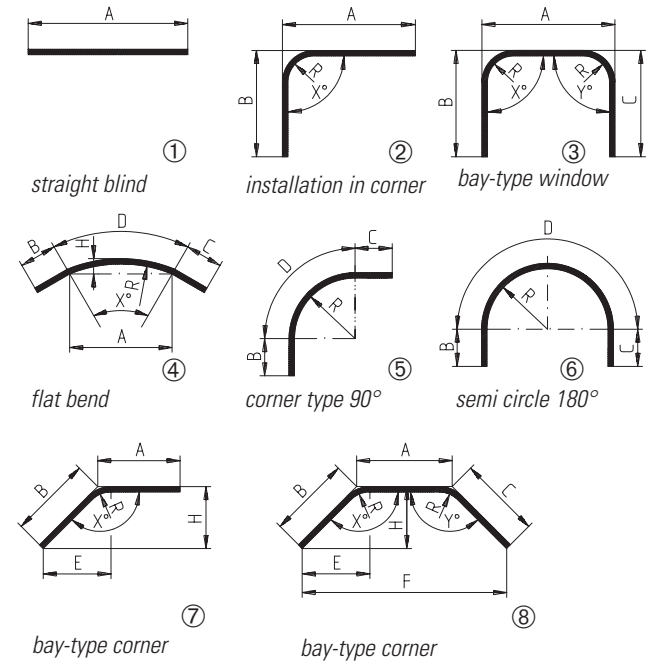
louvre louvre width _____ quality _____

overlapping (with 127 mm wide louvres only) non-driving side driving side (for motor control only)

drive motor (on top of rail only) length of crank _____

mounting ceiling wall

Options:



The sketches show the top view of the blinds.
The indicated sizes refer to rail centre.

Overmeasure for Corvus blinds:

1. Precisely dimensioned sketch as per above drafts indicating angles, straight sections and dimensions of bend.
2. Pattern as supplement to 1.
3. Pattern only, scale 1 : 1.
4. Watch size limits (see price list).

Client's pos.		Client's pos.	
Option no.		Option no.	
pieces		pieces	
blind height		blind height	
dimension A		dimension A	
dimension B		dimension B	
dimension C		dimension C	
radius measure D		radius measure D	
dimension E		dimension E	
dimension F		dimension F	
dimension H		dimension H	
radius R		radius R	
angle X°		angle X°	
angle Y°		angle Y°	